

HZ 190, 200, 250, 350, 370,

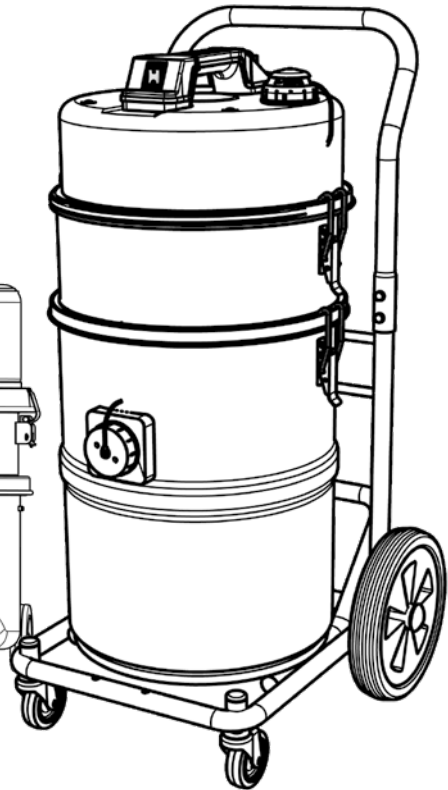
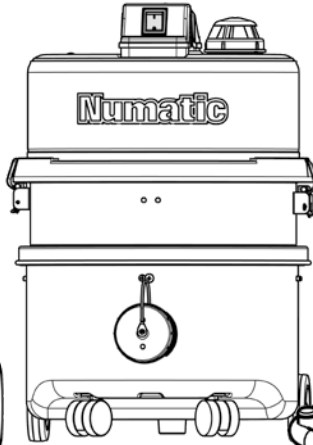
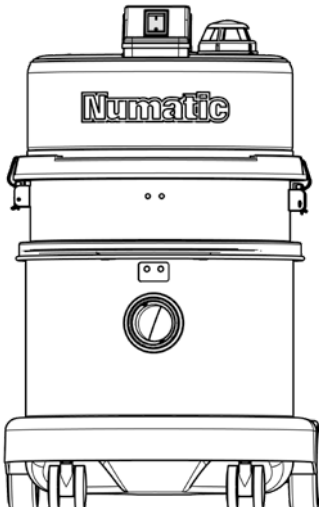
450, 570, 750, 900

HZD 450, 570, 750, 900

Hazardous Dust Machines

Numatic

numatic.com



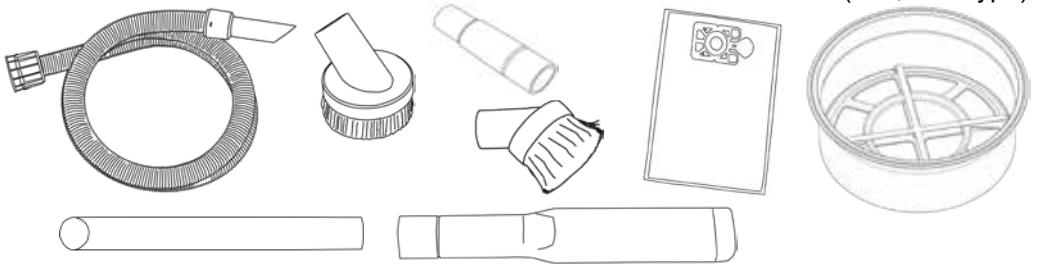
Original Instructions

CAUTION, Read the Instructions before using the machine.

HZ 190	Kit AA17	NVM 1CH
HZ 200	Kit AA17	NVM 1CH
HZ 250	Kit AA17	NVM 1CH
HZ 350	Kit AA18	NVM 2BH
HZ 370	Kit AA18	NVM 2BH
HZ 450	Kit AA19	NVM 3AH
HZ 570	Kit AA19	NVM 3BH / NVM 3BM
HZ 750	Kit AA20	NVM 4BH / NVM 4BM
HZ 900	Kit AA20	NVM 4BH / NVM 4BM
HZD 450	Kit BB19	NVM 3AH
HZD 570	Kit BB19	NVM 3BH / NVM 3BM
HZD 750	Kit BB20	NVM 4BH / NVM 4BM
HZD 900	Kit BB20	NVM 4BH / NVM 4BM

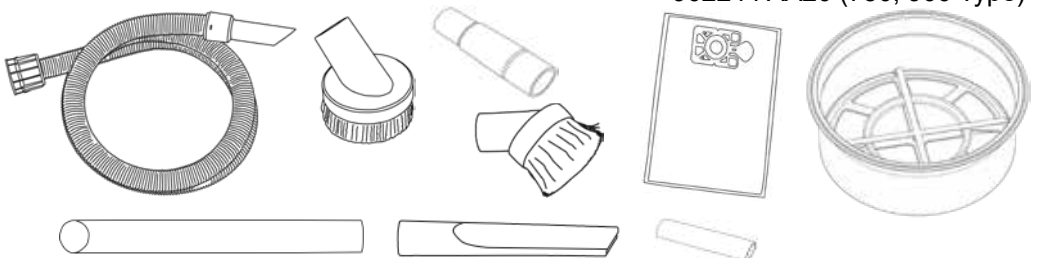
HZD Kits

607349 BB19 (570 Type)
607350 BB20 (750, 900 Type)

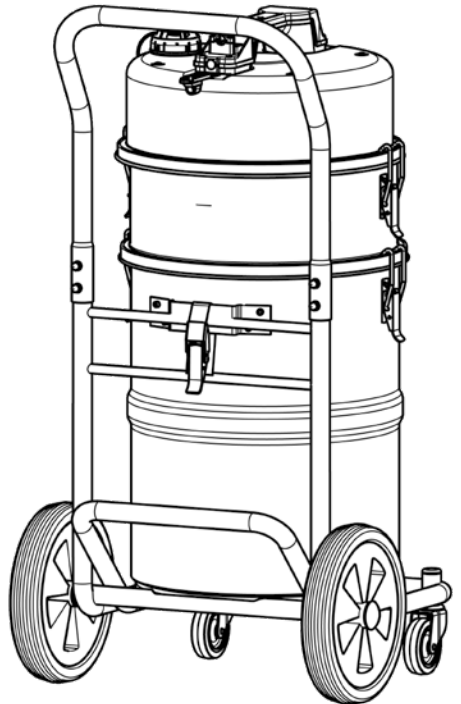
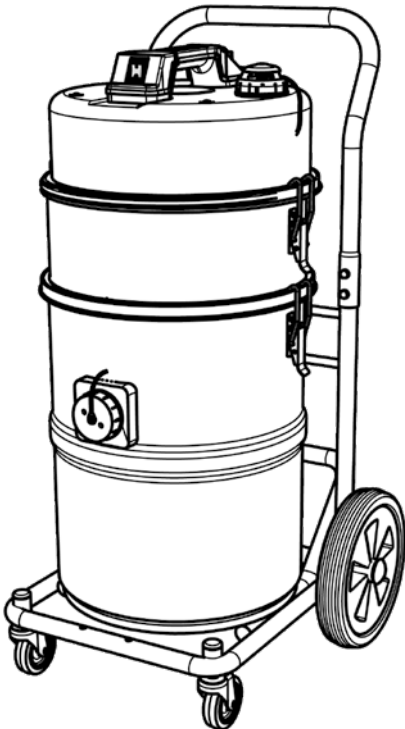
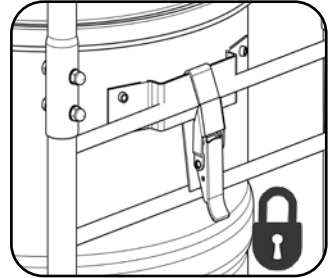
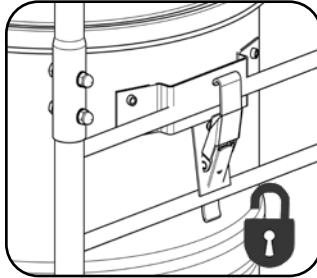
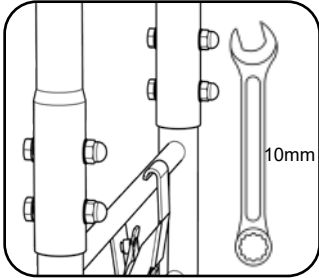
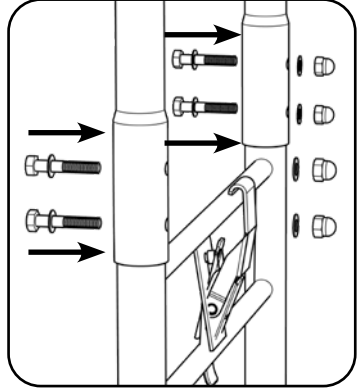
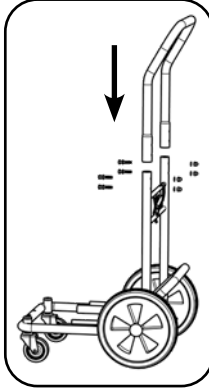
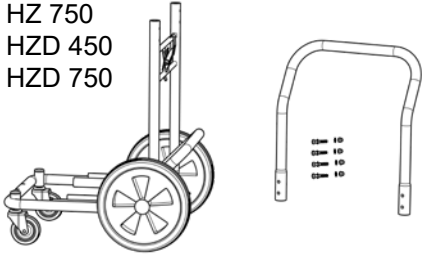


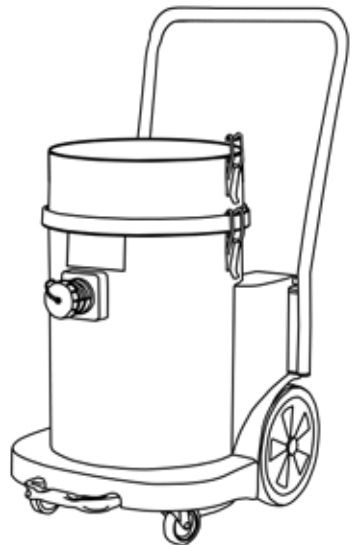
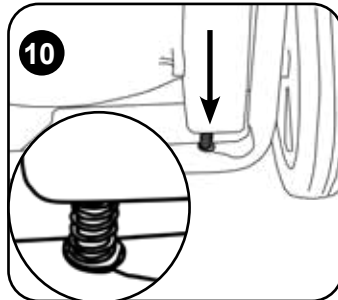
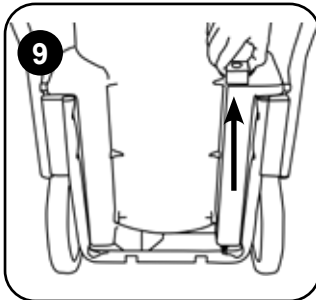
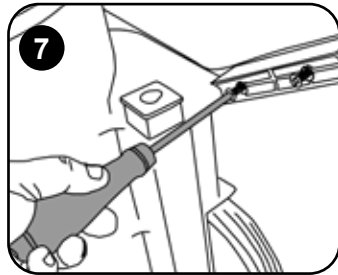
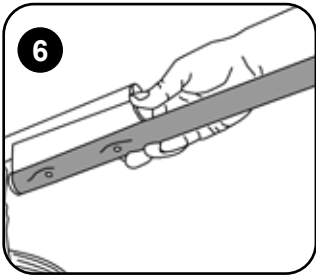
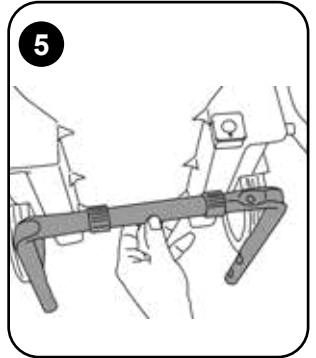
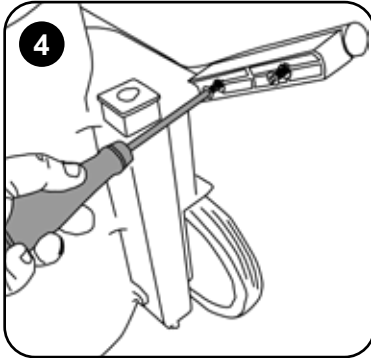
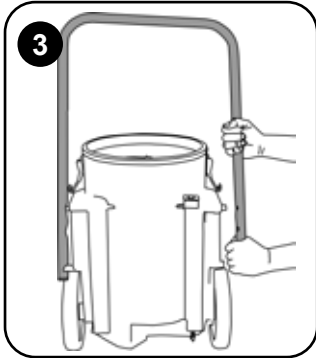
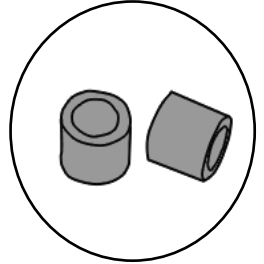
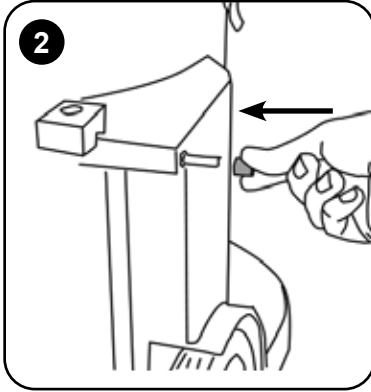
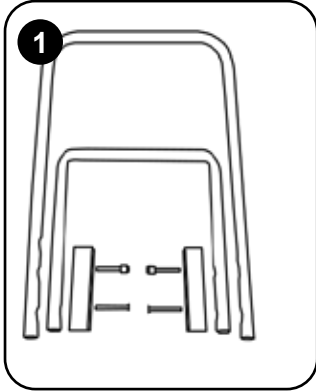
HZ Kits

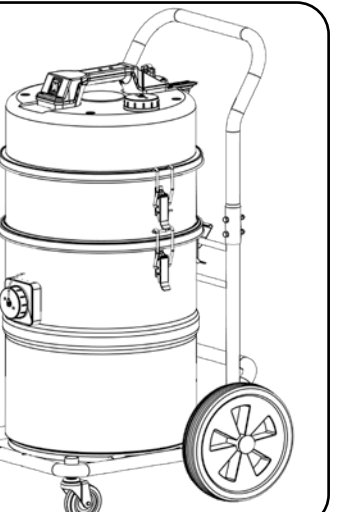
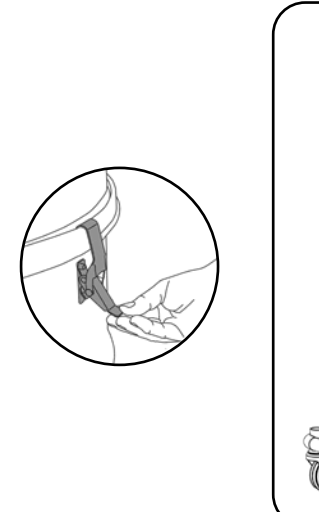
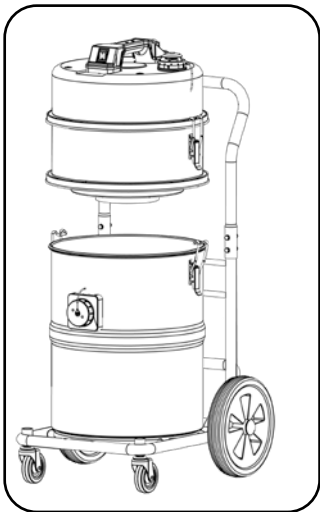
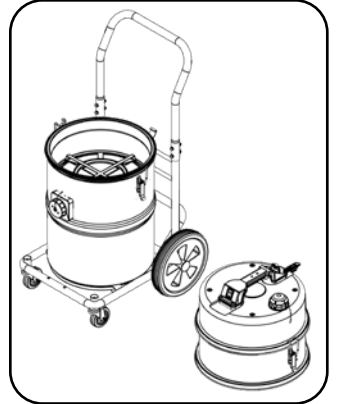
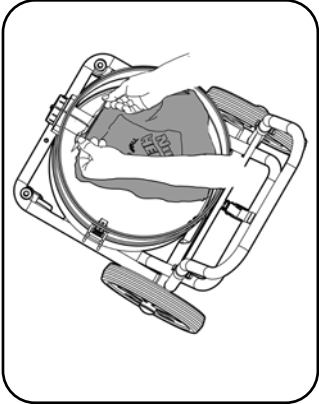
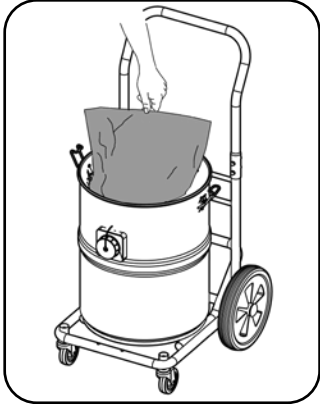
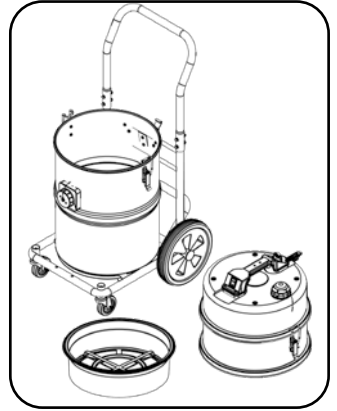
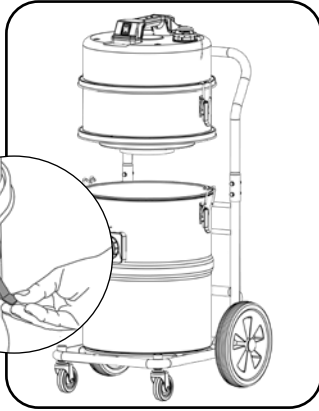
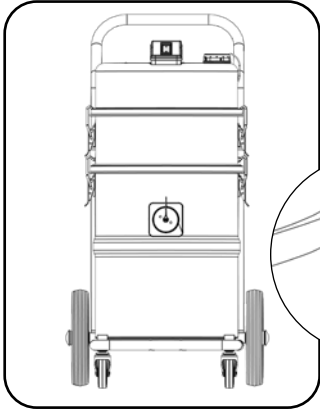
607470 AA17 (190, 200, 250 Type)
902242 AA18 (350, 370 Type)
902243 AA19 (470, 570 Type)
902244 AA20 (750, 900 Type)

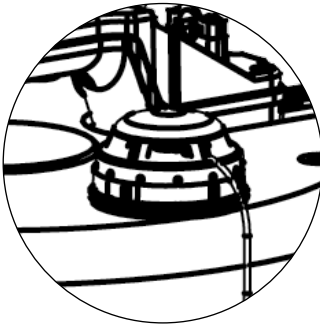
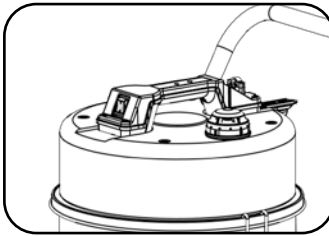
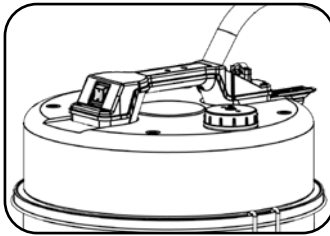
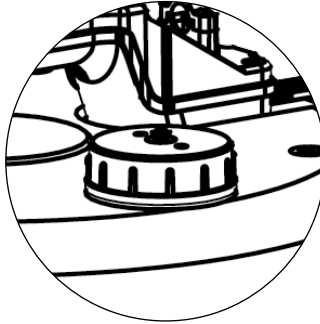
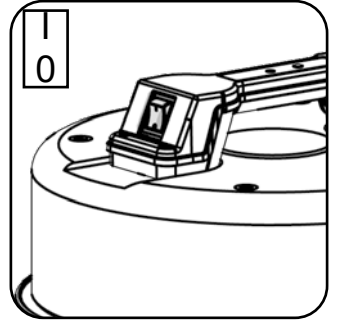
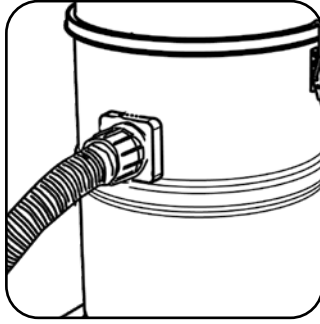
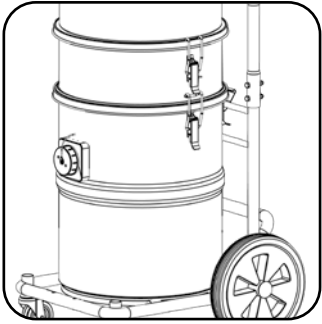


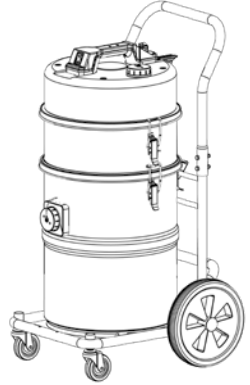
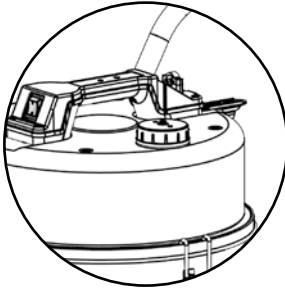
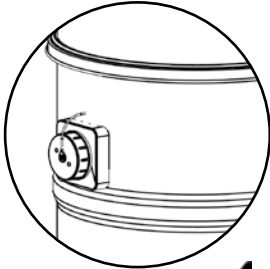
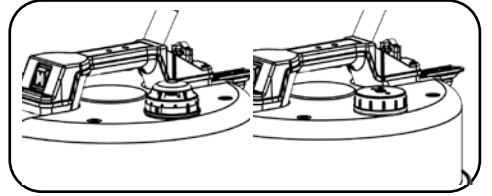
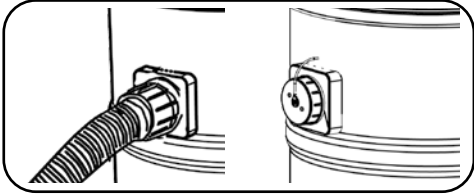
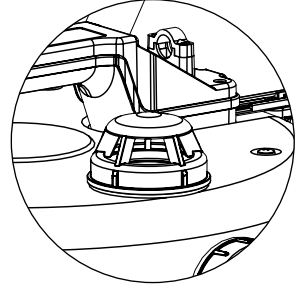
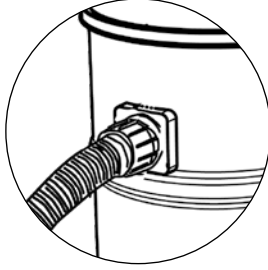
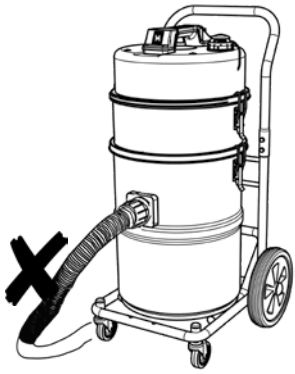
HZ 350
HZ 450
HZ 750
HZD 450
HZD 750



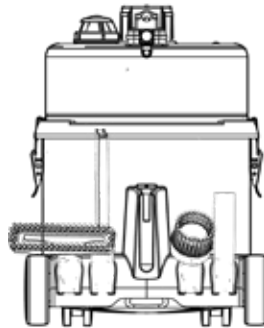
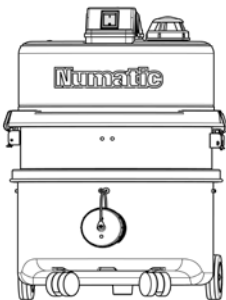


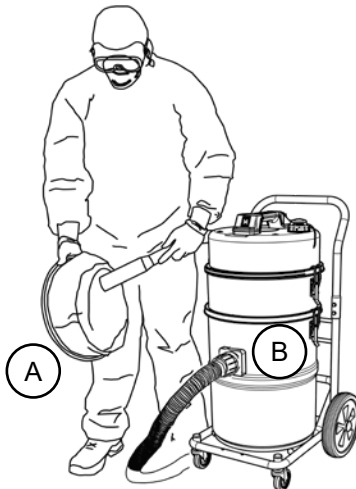
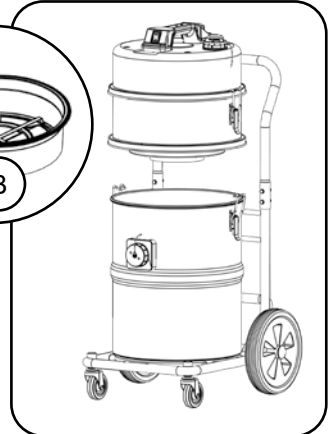
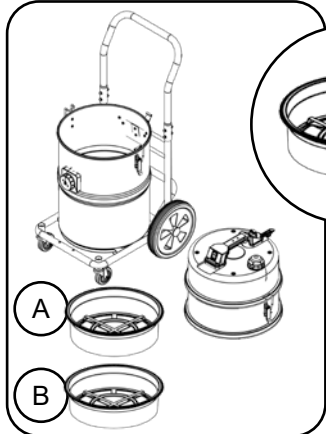
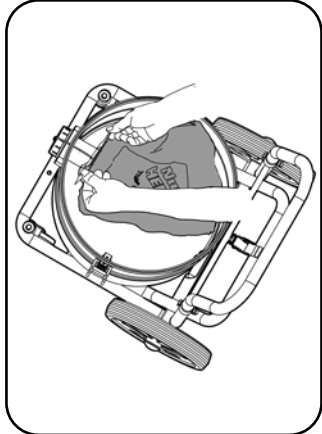
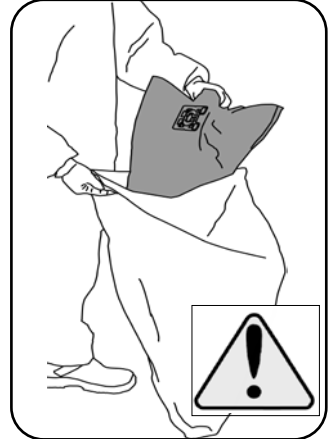
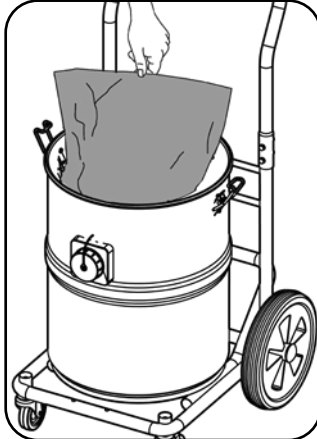
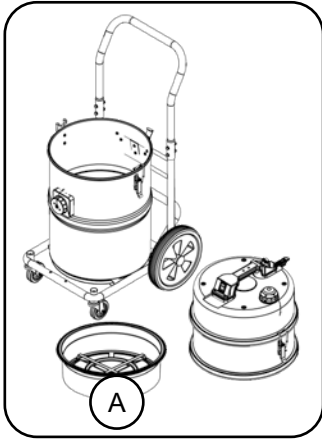




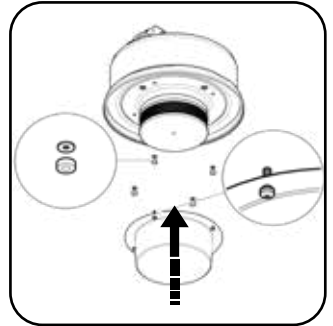
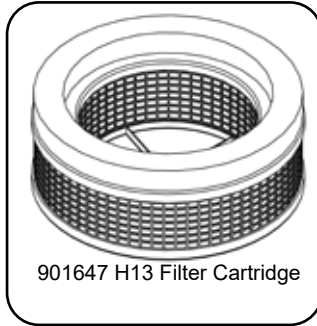
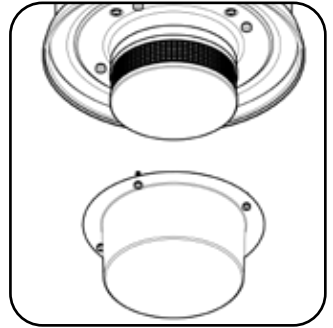
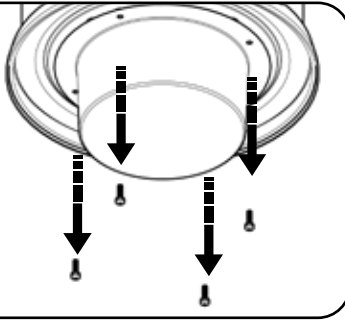


(370 Drum only) Tool Tidy

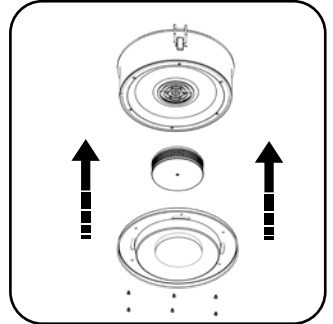
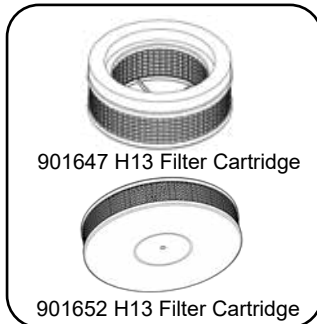
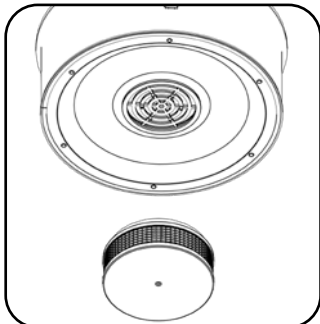
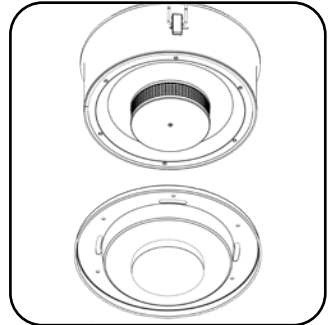
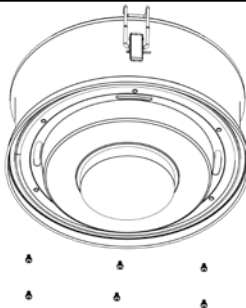
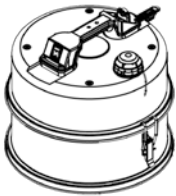




**NON
Interceptor Machines**

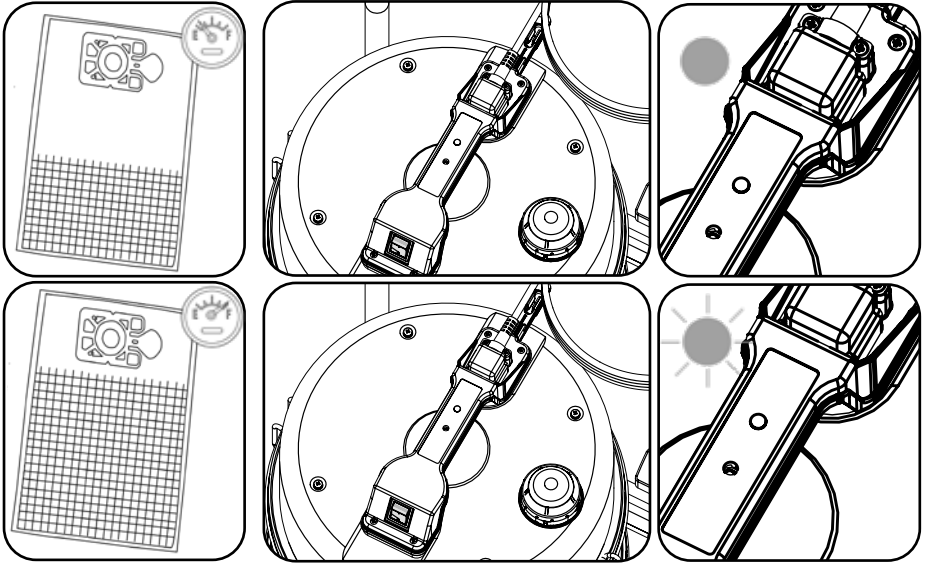


Interceptor Machines



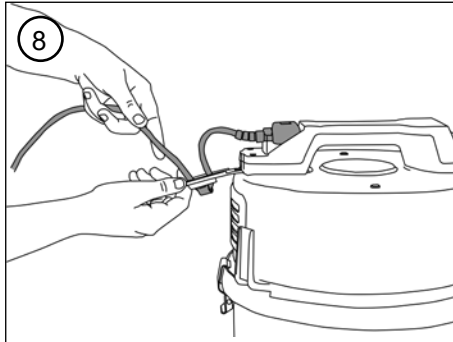
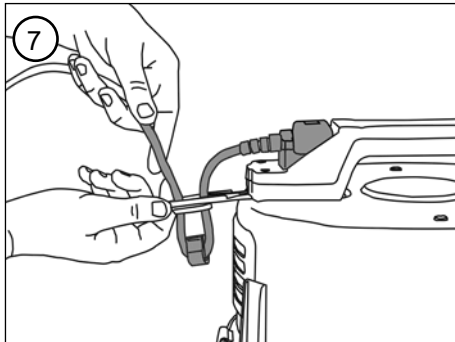
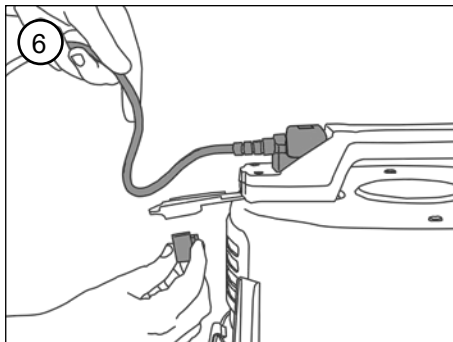
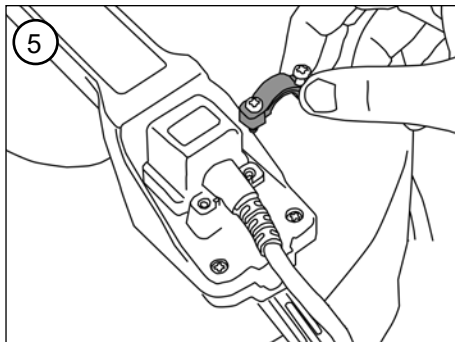
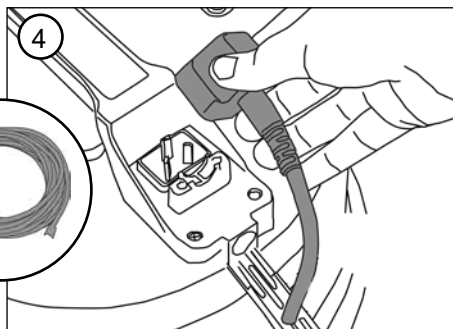
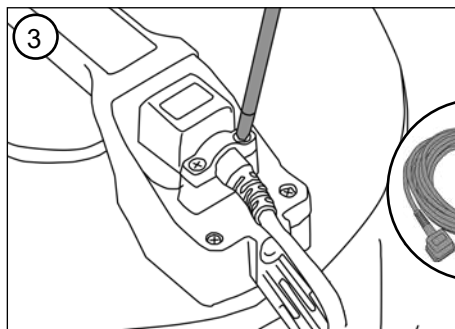
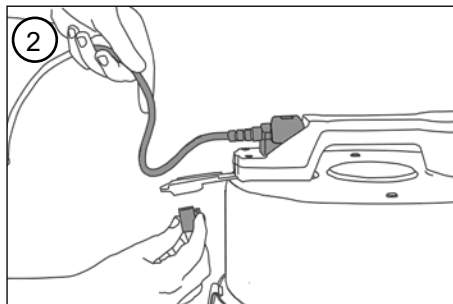
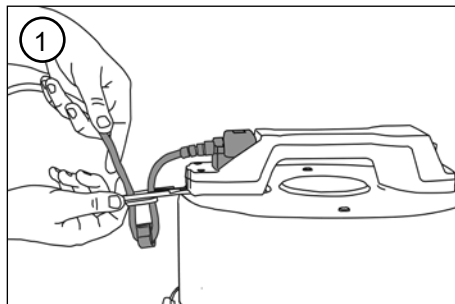
Low Flow Indicator

This appliance is fitted with a low flow indicator to show that air flow has reduced. In the event of the indicator light flashing, check the following:-



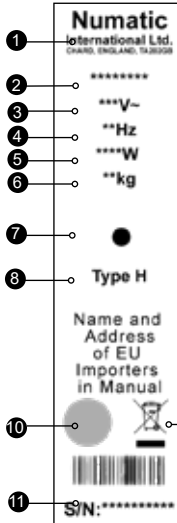
Cause	Solution
Dust caps still fitted	Remove the caps.
Blocked hose	Unblock the hose.
Bag full	Remove and replace
Cloth filter clogged	Remove and replace, clean dirty filter by vacuuming.
Hepa cartridge clogged	Replace, seek advice from an instructed person or manufacturer.

Variant	Simplex	Duplex
Model	HZ 190, 200, 250, 350, 450, 570, 750, 900	HZD 450, 570, 750, 900
Classification	TYPE H	TYPE H
Voltage	115 / 120 / 220 -240V	115 / 120 / 220 -240V
Frequency	50 - 60Hz	50 - 60Hz
Power rating	1000 W	1000 W x 2
Sound Pressure (LpA) Uncertainty (KpA)	65 dB (A) 0.5 dB	67 dB (A) 0.5 dB
Low flow operation	16L/sec (0.96m ³ /min)	22L/sec (1.32m ³ /min)
(NB 16L/sec corresponds to an airspeed of 20m/sec in a 32mm pipe) (NB 22L/sec corresponds to an airspeed of 20m/sec in a 38mm pipe)		



Rating Label

1	Company Name & Address
2	Model
3	Voltage / Alternating Current
4	Frequency
5	Rated Input Power
6	Weight
7	Low Flow Indicator *(If applicable)
8	Hazardous Rating
9	WEEE Logo
10	Approval Mark
11	Machine yr/wk Serial Number



Maintenance

Daily
 Keep the machine clean, including hoses and tubes. Ensure the bag and filter are fitted. Regularly examine the power cord. Check dust bag frequently. Check filters are clean.

Weekly - as daily and:-
 Check for any worn or damaged parts and replace immediately.

WEEE Legislation (Waste, Electrical and Electronic Equipment)
 Vacuum cleaner, accessories and packaging should be sorted for environmentally - friendly recycling.

(Only for UK/EU Countries)
 Do not dispose of vacuum cleaner into household waste! According to the European Directive 2012/19/EU on waste electrical and electronic equipment and its incorporation into national law. Vacuum cleaners that are no longer suitable for use must be separately collected and sent for recovery in an environmentally - friendly manner.



PPE (personal protective equipment). That may be required for certain operations.				
Ear Protection	Safety Footwear	Head Protection	Safety Gloves	
Eye Protection	Protective Clothing	Dust / Allergens Protection	Hi Viz Jacket	
NOTE: A risk assessment should be conducted to determine which PPE should be worn.				

Failure to rectify the problem or in the event of a breakdown contact your Numatic dealer or the Numatic Technical helpline +44 (0)1460 269268

Safety Critical Components

Mains leads: HO5VV-F 10m x 2 Core x 1.00mm²
 HO5VV-F 10m x 2 Core x 2.50mm²
 HO5VV-F 10M x 3 Core x 1.5mm² x Yellow Cable

WARNING

Read the instruction manual before using the machine.
Operators shall be adequately instructed on the use of these machines.

As with all electrical equipment, care and attention must be exercised at all times during use, in addition to ensuring that routine and preventative maintenance is carried out periodically to ensure safe operation.

Failure to carry out maintenance as necessary, including the replacement of parts to the correct standard could render this equipment unsafe and the manufacturer can accept no responsibility in this respect.

This machine is for DRY USE only and must not be stored outside or used in wet conditions.
The machine shall be disconnected from the mains by removing the plug from the supply socket during cleaning or maintenance and when replacing parts or converting the machine to another function.

This machine is not to be used by children or persons with reduced physical, sensory or mental capabilities, or lack of experience or knowledge.

Children should be supervised to ensure they do not play with the machine
This machine is not a toy.

CAUTION

Ensure that the filtration system fitted to the machine is suitable for the material being collected.
This machine is for use indoors only.
This machine should be stored indoors only.

NOTES

This machine is intended for commercial use, for example in hotels, schools, hospitals, factories, shops, offices.

This product complies with the requirements of clause 20 of EN 60335-2-69 Stability and Mechanical Hazards.

DO

- Keep your machine clean.
- Keep filters clean.
- Use filter bags, they will enhance performance and help keep machine clean.
- Use a Numatic Original filter bag under fine dust conditions.
- Keep hoses and tubes clear.
- Replace any worn or damaged parts immediately.
- Regularly examine the power cord. If damage is found such as cracking or ageing the power cord must be replaced by a qualified person using the correct Numatic original part.
- Change dust bag frequently.
- Only use the brushes provided with the machine. The use of other brushes may impair safety.
- Only replace the power cord with the correct Numatic approved replacement part.

DO NOT

- Allow the rotating brush to come into contact with the supply cord (where rotating brushes are fitted).
- Pull on the cable to unplug the machine from the power supply.
- Use to suck up hot ashes or lighted cigarette ends.
- Use steam cleaners or pressure washers to clean the machine or use in the rain.
- Immerse in water for cleaning.
- Attempt machine maintenance or cleaning unless the power supply plug has been removed from the supply outlet.
- Under any circumstances place foreign objects including (but not limited to) air fresheners, air freshener capsules or scented beads of any type into the top filter of the machine. Doing so can be dangerous and risk damage to the machine and may invalidate the machine warranty.

IMPORTANT USER INFORMATION

Before use operators shall be provided with information, instruction and training for the use of the machine and the substances for which it is to be used, including the safe method of disposing of material collected.

The dust container has to be emptied when necessary, but also after every time used.

This vacuum cleaner has a lamp that illuminates when air velocity drops below a preset level, which indicates that the bag must be changed.

This machine is not suitable for connection with dust generating machines.

All filters including the bag must be undamaged and in correct position before this machine can be used safely.

CAUTION: This machine is for dry use only and is not to be used or stored outdoors in wet conditions.

Do not pick up glowing embers or dust or any other ignition hazard

Do not use the power cable as a method of moving the machine.

WARNING:

1. This machine must only be operated by suitably trained and authorised personnel.
2. This machine or its accessories must not be modified.
3. The machine must not be stored or used in a wet environment.
4. Do not allow the dust collection bag (NVM-2BH) to become so full as to reduce the effective pick-up of the vacuum. (Lamp will illuminate at preset air velocity levels < 16 m/s). Only use the dust collection bag (NVM-2BH) once.
5. Only use the dust collection bag (NVM-2BH) once.
6. This machine must only be repaired by suitably trained and authorised personnel.
7. Only use genuine Numatic International Ltd spare parts, for repairs.
8. This machine must not be installed as a fixed extraction system or run unattended.
9. Do not re-use the essential filter element after removal out of the machine.

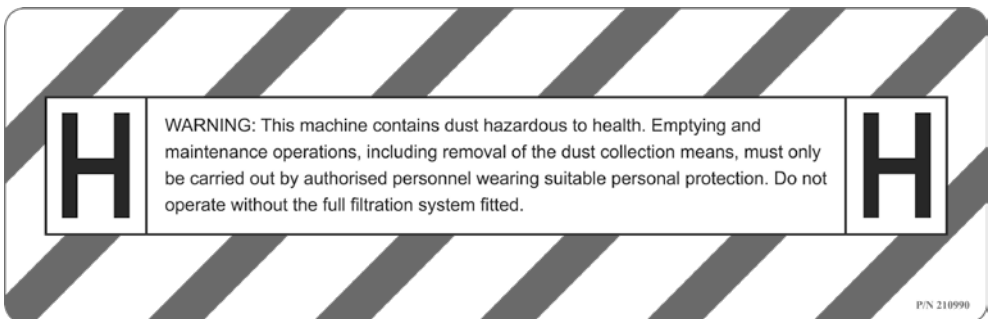
Operators should observe any safety regulations appropriate to materials being handled.

This machine is for dry use only.

PREPARATION FOR USE

Unpack and identify each item of equipment from the delivery note.

Check that the details given match the information on the "rating plate" mounted on the head assembly.



Installation / Removal / Disposal of the dust bag.

The dust bag holding the dust and debris must be removed and renewed by authorised personnel only, wearing appropriate personnel protective equipment, in a specified de-contamination area.

Never operate without the full filtration system in place.

Process of disposal:

Disconnect the hose, fit the Dust Cap on the Hose Flange, un-clip the bottom two Toggle Clamps.

Remove the cloth filter (A) in the Drum. Remove the dust bag from the Hose Flange inside the drum and seal the Dust Bag hole. Place the Dust Bag inside an impervious plastic bag and seal the bag. Dispose of the plastic bag, depending on contamination, in an appropriate manner.

Fit a new Dust Bag over the Hose Flange inside the drum assembly. Fit the cloth filter (B), and the Head.

MAINTENANCE

All machine parts should be regarded as contaminated when removed from the hazardous area and appropriate action taken to prevent dust dispersal.

Disconnect from the power supply during cleaning, maintenance or when replacing parts.
Ensure the plug is removed from the Power socket outlet.

Maintenance must be carried out in a suitable non hazardous area with facilities for cleaning the area after servicing, and with suitable ventilation.
Maintenance and cleaning work must always be carried out by competent authorised personnel equipped with suitable personal protection.

The cloth filter must be taken out and checked for degree of contamination, and damage to cloth or seals. If the cloth seal is found to be damaged or badly contaminated, you must replace. If only mildly contaminated, either wipe clean or wash with a mild detergent (ensure it is dry before replacing).

Items that can not be satisfactorily cleaned (e.g. filters) need to be disposed of in an impervious plastic bag and disposed of in accordance with current regulations. Replace the items that cannot be satisfactorily cleaned using approved manufacturer parts.

Regularly examine the supply cord for damage, such as cracking or ageing. If damage is found, replace the cord before further use.

All parts of this vacuum are safety critical only replace with the genuine Numatic spare parts.

For user servicing, the machine must be dismantled, cleaned and serviced, as far as is reasonably practicable, without causing risk to maintenance staff and others.

Suitable precautions include decontamination before dismantling, provision for local filtered exhaust ventilation where the machine is dismantled, cleaning of the maintenance area and suitable personal protection.

In class H machines the outside of the machine should be decontaminated by vacuum cleaning methods and wiped clean or treated with a sealant before being taken out of the hazardous area and appropriate action taken to prevent dust dispersal. (HSE Risk Assessment needed).

A competent person shall perform a technical inspection at least annually, consisting of, for example, inspection of filters for damage, air tightness of the machine and proper function of the control mechanism.

Also the filtration efficiency should be tested at least annually, or more frequently as specified in national requirements. The test methods that can be used to verify the machine's filter efficiency are specified in EN 60335-2-69 Annex AA (AA22.201.2). If the test fails it should be repeated with a new essential filter.

Replacing HEPA Filters Process.

Remove the Head / Interceptor assembly and place in a safe area.

Unscrew the 4/6, M5 x 10 screws on the underside of the machine head / Interceptor which will expose the HEPA filter.

Remove the contaminated HEPA filter and place in a suitably impervious plastic bag and dispose of in accordance with current regulations.

Replace the HEPA filter with an identical approved part

Re-assemble the machine in reverse order. (Screw torque 2.5Nm).

During this process please look carefully at all seals between mating parts and check for any damage. If seals have been damaged, please contact the machine manufacturer to obtain an approved replacement part.

DATA

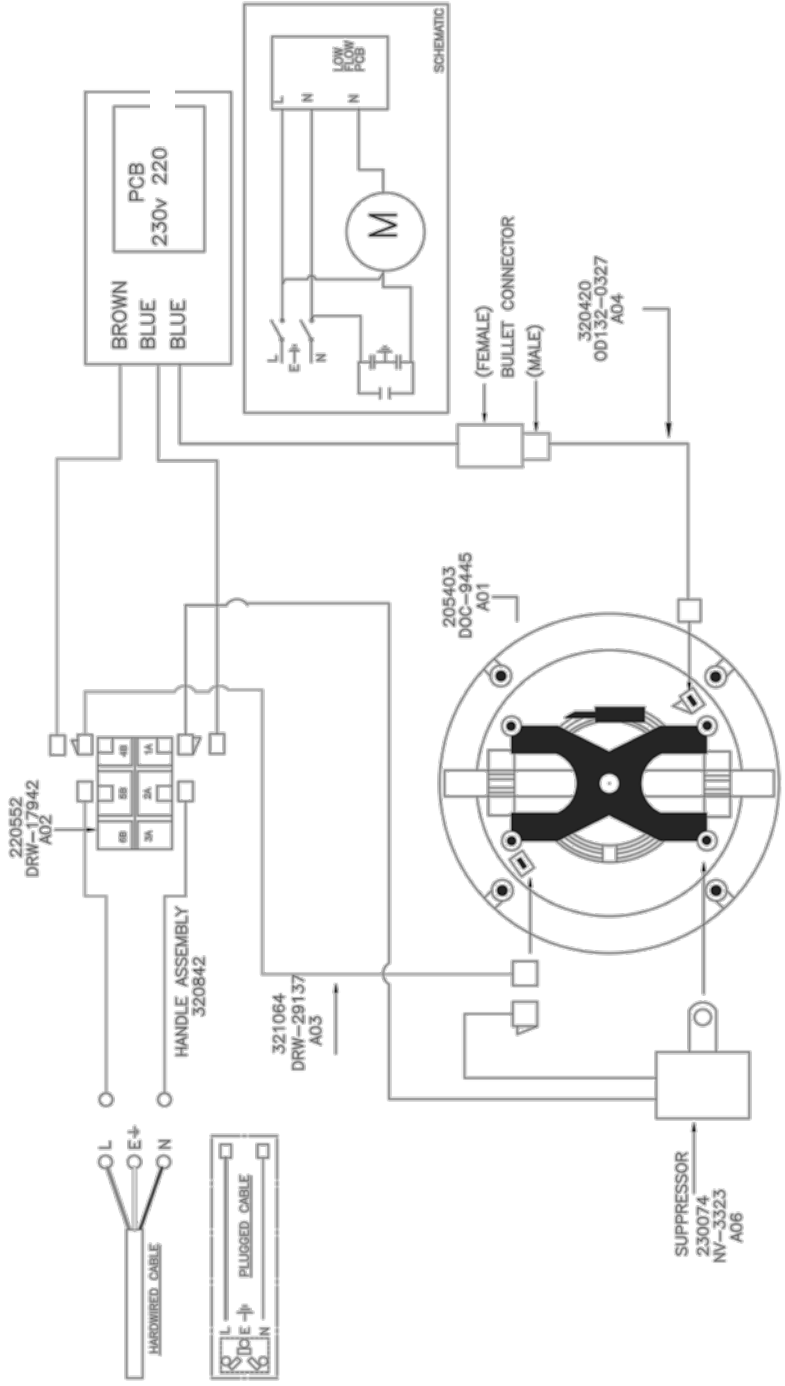
Model	Rated Motor Power (W)	Max Airflow (Motor Only) (m3/h)	Max Airflow (In Product) (m3/h)	Max Under-pressure (hpa)	Max Sealed Suction (mm)	Capacity (L)	Weight (kg)	Size (mm)
HZ 190	1000	173	119	260	2500	8	10	340x340x400
HZ 200	1000	173	119	260	2500	9	11	355x355x520
HZ 250	1000	173	119	260	2500	8	13	340x340x455
HZ 350	1000	173	119	260	2500	14	15	385x365x845
HZ 370	1000	173	119	260	2500	15	11	355x355x570
HZ 450	1000	173	119	260	2500	20	26.5	510x500x940
HZ 570	1000	173	119	260	2500	23	18	415x415x746
HZ 750	1000	173	119	260	2500	35	23	510x510x960
HZ 900	1000	173	119	260	2500	40	28	490x800x880
HZD 450	1000 x 2	346	184	245	2500	20	29.5	510x500x940
HZD 570	1000 x 2	346	184	245	2500	23	20	415x415x746
HZD 750	1000 x 2	346	184	245	2500	35	25	510x510x960
HZD 900	1000 x 2	346	184	245	2500	40	30	490x800x880

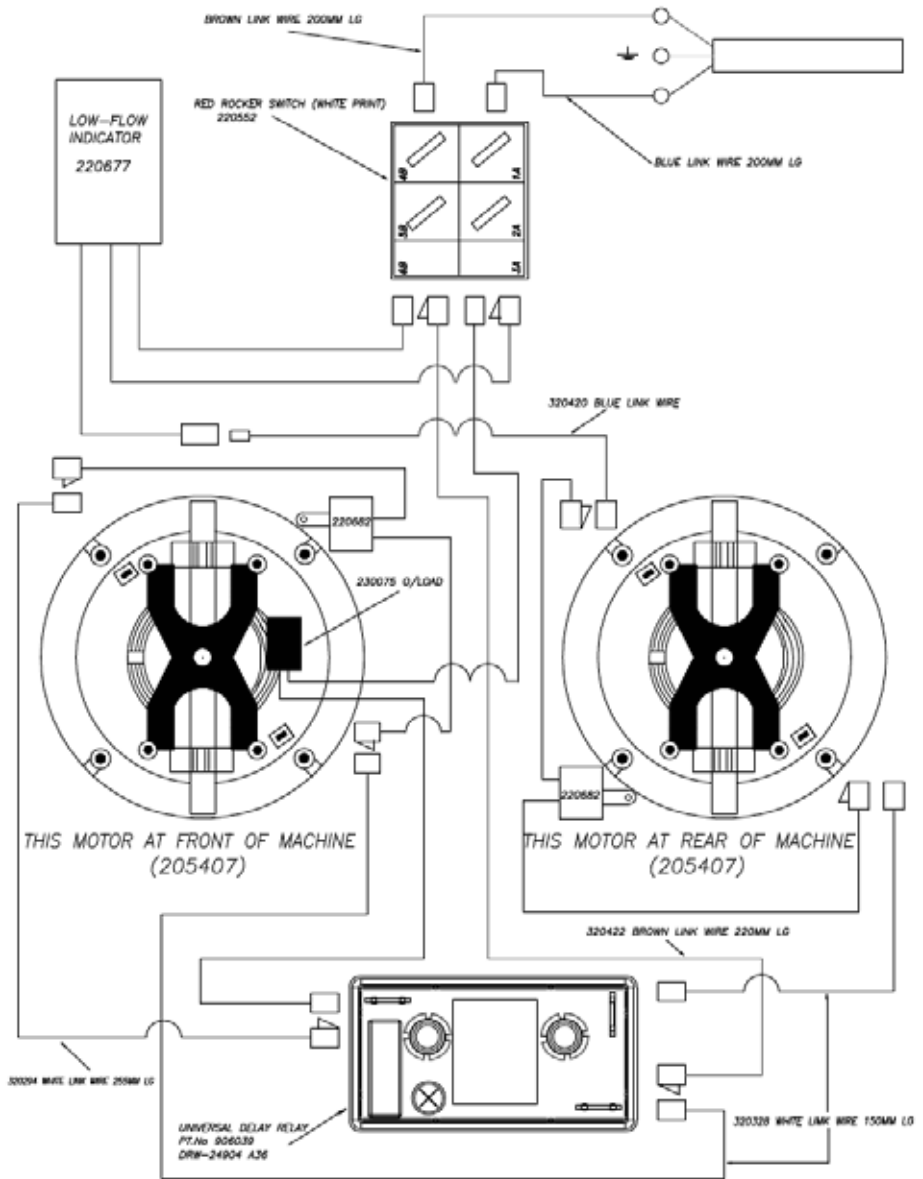
Cleaning Range = 26.4m

Numatic replacement spare parts

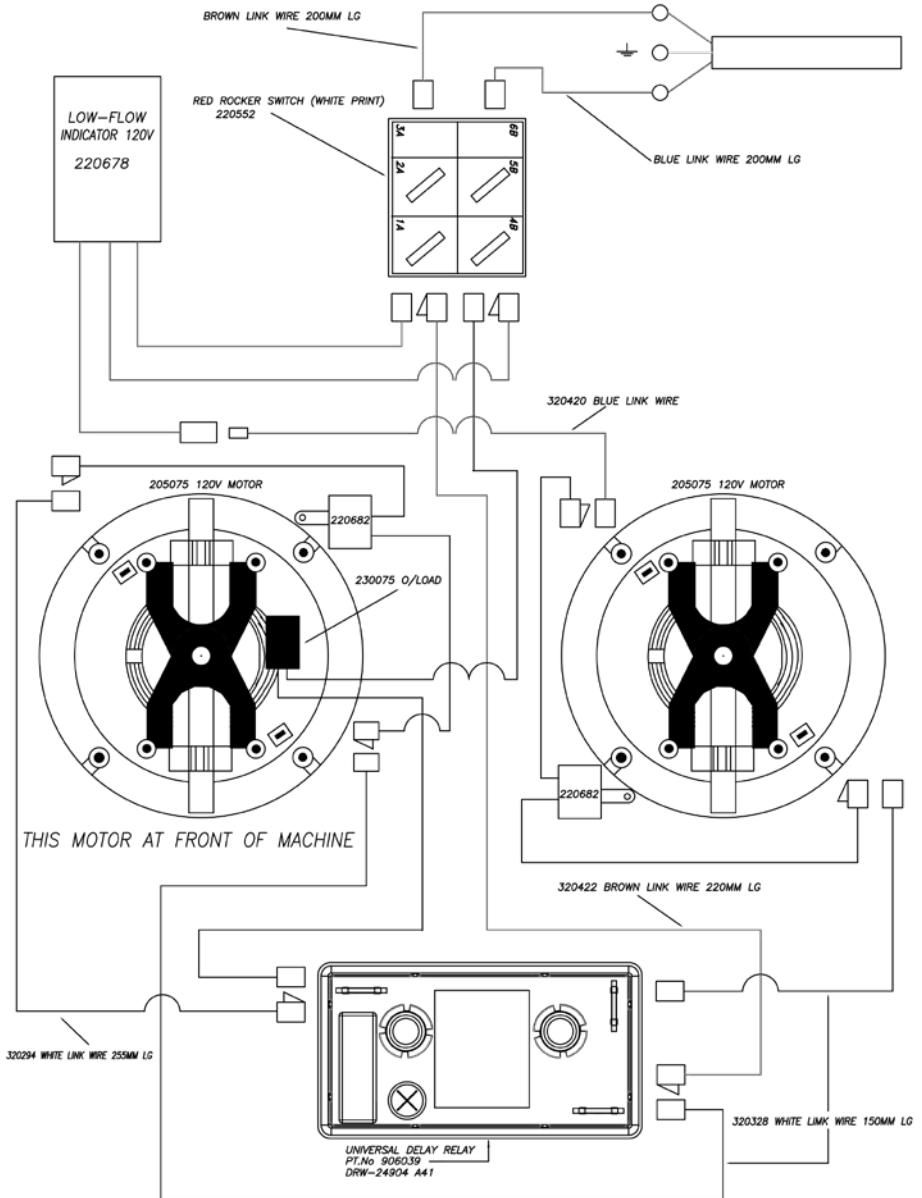
908229	Roll of 10 bags	601144	65mm Soft Brush (NVA-44B)
602102	2.4M Hose (NVB-2B)	602159	38/32mm Adaptor (NVB-59B)
602160	305mm Crevice tool (NVM-60B)	604165	TriTex 12" Filter
602161	152mm Rubber Brush (NVM-61B)	604113	PermaTex 14" Filter
602923	305mm Stainless gulper (NVM-23B)	604311	MicroTex 12" Filter
901647	Bottom filter for HZ machines	604411	MicroTex 14" Filter
901652	Filter for all HZD machines	604151	Air Separator
604015	NVM-1CH HepaFlo Bags Pack of 10	604017	NVM-3BH HepaFlo Bags Pack of 10
604016	NVM-2BH HepaFlo Bags Pack of 10	604019	NVM-4BH HepaFlo Bags Pack of 10
604027	NVM-3BM MicroFlo Bags Pack of 5	604024	NVM-4BM MicroFlo Bags Pack of 5
All machines to be retested after fitting replacement filter cartridge.			

Spare Parts			
Drum			
500895	HZ 190 YELLOW DRUM ASSEMBLY		
500656	HZ 200 YELLOW DRUM ASSEMBLY		
500024	HZ 250 YELLOW DRUM ASSEMBLY		
500018	HZ 350 YELLOW DRUM ASSEMBLY		
500031	HZ/HZD 450 YELLOW DRUM ASSEMBLY		
500570	HZ/HZD 570 YELLOW DRUM ASSEMBLY		
500412	HZ/HZD 900 YELLOW DRUM ASSEMBLY		
Interceptor			
604126	HZ 250/350 YELLOW INTERCEPTOR ASSEMBLY		
604127	HZ 4/750 YELLOW INTERCEPTOR ASSEMBLY		
604128	HZD 4/750 YELLOW INTERCEPTOR ASSEMBLY		
Chassis			
501109	HZ 350 MILD STEEL CHASSIS ASSEMBLY		
501016	HZ 450 HEAVY DUTY FIXED MILD STEEL CHASSIS ASSEMBLY		
501017	HZ 750/1000 HEAVY DUTY FIXED MILD STEEL CHASSIS ASSEMBLY		
Cables			
Simplex		Duplex	
236010	10.0m X 1 mm ² X 3 CORE CABLE (SOCKET + PLUG) UK	236011	10.0m X 1.5 mm ² X 3 CORE CABLE (SOCKET + PLUG) UK
236014	10.0m X 1 mm ² X 3 CORE CABLE (SOCKET + PLUG) EURO	236081	15.0m X 1.5 mm ² X 3 CORE CABLE (SOCKET + PLUG) SOUTH AFRICA
236050	10.0m X 1.5 mm ² X 3 CORE CABLE PLUS 16AMP I NDUSTRIAL PLUG	236143	10.0m X 1.5 mm ² X 3 CORE YELLOW CABLE (SOCKET + PLUG) EURO
236058	10.0m X 1 mm ² X 3 CORE BLACK CABLE PLUS AUSTRAL- IAN PLUG	220911	12.5m X 2.5 mm ² X 3 CORE CABLE PLUS 32 AMP INDUSTRIAL PLUG





14 inch Metal 3 core (120 V)
WD-0264 (A03)



Numatic International Warranty

Numatic International Limited warrant to the original purchaser that its products are free of defects in both material or workmanship for the period shown below:-

Homecare and Cleancare Vacuum cleaners.....	2 Years
Rotary Floor Machines.....	2 Years
Twintec Auto Scrubber Dryer.....	1 Year
Vario Ride-On Scrubber Dryer.....	1 Year / 1500 hours
Mopping, Compacts, Combi and Servocare Products.....	1 Year
Individual Accessories and Spare Parts.....	6 Months

Note: This warranty expressly excludes consumable parts such as carbon brushes, floor brushes, mops, batteries etc, that are considered replaceable from time to time during the normal working life of the machine.

Using non Numatic dustbags can be detrimental to both machine performance and life and may invalidate the Warranty.

- A. The warranty period commences from the date the goods are purchased.*
- B. All warranty claims must be processed through the Dealer from whom the equipment was purchased. The Dealer will co-operate with the purchaser throughout the warranty claims procedure and will arrange any necessary repairs using genuine Numatic parts.*
- C. If the original Dealer is no longer able to fulfil his obligations please contact Numatic International Limited with full details of the claim and proof of purchase so that this may be processed without delay.*
- D. Any warranty claim can only relate to the specific part that is proven to be at fault and for which a replacement will be supplied but cannot be extended to constitute a claim against the complete machine.*
- E. Numatic International will supply the Dealer with any warranty parts required, subject to the claim being validated, after return of the faulty items in accordance with Numatic International Limited's General Conditions of Sale.*
- F. Claims will not be accepted if they are the result of fair wear and tear, misuse or abuse of any kind.*
- G. No replacement will be given unless the appropriate evidence of the validity of the claim has been provided to the satisfaction of Numatic International Limited.*
- H. Numatic International Limited reserve the right to charge for any unnecessary work carried out as a result of an invalid claim.*
- I. No variation to this warranty may be made or implied by any member of Numatic International Limited or its Dealers unless such variation is in writing and authorised by the Company*

Numatic

Numatic International Limited. Chard, Somerset, TA20 2GB

Telephone: 01460 68600 Fax: 01460 68458

© Numatic International Limited

UKCA Declaration of Conformity	
Manufacturer:	Numatic International Limited Chard Somerset TA20 2GB www.numatic.co.uk
Product:	HZ, HZD
Description:	Vacuum Cleaner – Commercial – Dry
We, Numatic hereby declare under our sole responsibility, that the above-mentioned product(s) is/are in conformity with the following directives and standards.	
S.I. 2008: 1597	Supply of Machinery Regulations EN60335-1:2012 + AC:2014 + A11:2014 + A13:2017 + A15:2021 EN60335-2-69:2012 EN62233:2008
S.I. 2016: 1091	EMC Regulations EN55014-2:1997 + A1:2001 + A2:2008 EN61000-3-2:2014 EN61000-3-3:2013
S.I. 2012: 3032	RoHS Regulations

Authorised Signatory: Mr. Matthew Coles
Position: Head of Technology
Numatic International Limited,
Chard,
Somerset, TA20 2GB, UK

Signed: *M Coles* Date: 2nd February 2024

EU, EC, EL, UE, ES: Declaración de conformidad Produktová odpovědnost Prohlášení o shodě Konformitätsklärung Overensstemmelseklæring Declaração de conformidade Déclaration de conformité	Декларация за съответствие Изјављивaње о одговaрности Prohlášení o shodě Declarazione di conformità Tijdsaak o'fkladings Vastuustemenaakvastuutus	Declaracja zgodności Изјављивање о одговaрности Prohlášení o shodě Declarazione di conformità Tijdsaak o'fkladings Vastuustemenaakvastuutus
Manufacturer: / Výrobce / Hersteller / Fabricant / Tootaja / Fabricant / произвођач / Κατασκευαστής / Gyártó / Fabricante / Gaminiojas / Fabrikant / Produzent / Fabricante / Producteur / Proizvođač / Произвођач / Тиллвиркене / Прoизвођач / Valmistaja	Numatic International Limited Chard Somerset TA20 2GB www.numatic.co.uk	Numatic International Limited Chard Somerset TA20 2GB www.numatic.co.uk
Product: / Prodykt / Produkt / Produkto / Produkts / Antikli / Produkt / Prodykt / Prodykt / Produkts / Beskrivelse / Descripción / Kirjutus / La description / Описание / Περιγραφή / Teräis / Oidit / Descrere / Описание / Beskrivning / Oidit / Kuvaukset	Prodykt / Produkto / Produkts / Antikli / Produkt / Prodykt / Prodykt / Produkts / Beskrivelse / Descripción / Kirjutus / La description / Описание / Περιγραφή / Teräis / Oidit / Descrere / Описание / Beskrivning / Oidit / Kuvaukset	Numatic Cleaner – Commercial – Dry Vacuum Cleaner – Commercial – Dry

EN Ms, Numatic hereby declare under our sole responsibility, that the above mentioned product(s) is/are in conformity with the following directives and standards.	EN Ms, Numatic hereby declare under our sole responsibility, that the above mentioned product(s) is/are in conformity with the following directives and standards.
CS Ms, Numatic prohlašujeme na svou vlničnou odpovědnost, že výše uvedený výrobek odpovídá následujícím směrnicím a normám.	EL Επιστ. Numatic δηλώνουμε με αποκλειστική ευθύνη μας, ότι το παραπάνω με το συγκεκριμένο προϊόν, συμπεριλαμβανομένης της περιγραφής, συμμορφώνεται με τις ακόλουθες οδηγίες, διατάξεις και πρότυπα.
DE Wir, Numatic erklären in allerhöchster Verantwortung, dass das oben genannte Produkt den folgenden Richtlinien und Normen entspricht.	ET Meie, Numatic väitame, et meie enda vastutuse all olevad tooted vastavad järgmistele direktiividele ja standarditele.
DA Vi, Numatic erklærer hermed under eget ansvar at ovennævnte produkt(er) i overensstemmelse med følgende direktiver og standarder.	ES Nosotros, Numatic declaramos bajo nuestra única responsabilidad que el producto antes mencionado está en conformidad con las siguientes directivas y normas.
ET Meie, Numatic väitame, et meie enda vastutuse all olevad tooted vastavad järgmistele direktiividele ja standarditele.	FR Nous déclarons sous notre seule responsabilité que le produit mentionné ci-dessus est conforme aux directives et normes suivantes.
FI Me, Numatic vakuutamme omalla vastuulla, että edellä mainittu tuote on yhdenmukainen seuraavien direktiivien ja standardien mukaisesti.	HU Mi, Numatic kijelentjük, egyedül felelőséggel, hogy a fent említett termék megfelel az alábbi irányelveknek és szabványoknak.
IT Noi, Numatic dichiariamo sotto la nostra responsabilità, che il prodotto da noi sopra descritto, è conforme alle seguenti direttive e norme.	LT Mes, "Numatic" pareiškiu vienatikiškai atsakyti, kad pirmiau minėtas produktas atitinka šias direktyvas ir standartus.
LT Mes, "Numatic" pareiškiu vienatikiškai atsakyti, kad pirmiau minėtas produktas atitinka šias direktyvas ir standartus.	LV Mēs, Numatic, izpaušam šādas atbildības, ka minētais produkts atbilst šīm direktīvām un standartiem.
LV Mēs, Numatic, izpaušam šādas atbildības, ka minētais produkts atbilst šīm direktīvām un standartiem.	PL My, Numatic ninajszym oświadczamy z pełną odpowiedzialnością, że wyżej wymieniony produkt jest zgodny z następującymi dyrektywami i normami.
NO Numatic Pro, presenterer erklæring under eget ansvar at ovennævnte produkt er i overensstemmelse med følgende direktiver og standarder.	PT Nós, a Numatic, declaramos, sob a nossa exclusiva responsabilidade, que o produto acima mencionado está em conformidade com as diretivas e normas a seguir.
PL My, Numatic ninajszym oświadczamy z pełną odpowiedzialnością, że wyżej wymieniony produkt jest zgodny z następującymi dyrektywami i normami.	RO Noi, Numatic Pro, prezentăm declarații în propria răspundere, că produsul mai sus menționat este în conformitate cu următoarele standarde și directive.
RO Noi, Numatic Pro, prezentăm declarații în propria răspundere, că produsul mai sus menționat este în conformitate cu următoarele standarde și directive.	RU Мы, Numatic, подтверждаем, что данное изделие соответствует указанным стандартам.
RU Мы, Numatic, подтверждаем, что данное изделие соответствует указанным стандартам.	SV Vi Numatic förklarar härmed under eget ansvar att ovan nämnda produkt överensstämmer med följande direktiv och normer.
SV Vi Numatic förklarar härmed under eget ansvar att ovan nämnda produkt överensstämmer med följande direktiv och normer.	SL Mi, Numatic izjavljamo s polno odgovornostjo, da našo izdeliko ustrežajo naslednje smernice in standarde.
SL Mi, Numatic izjavljamo s polno odgovornostjo, da našo izdeliko ustrežajo naslednje smernice in standarde.	FI Me, Numatic vakuutamme omalla vastuulla, että edellä mainittu tuote on yhdenmukainen seuraavien direktiivien ja standardien mukaisesti.
FI Me, Numatic vakuutamme omalla vastuulla, että edellä mainittu tuote on yhdenmukainen seuraavien direktiivien ja standardien mukaisesti.	

2006/42/EC	Machinery Directive	EN60335-1:2012 + AC:2014 + A11:2014 + A13:2017 + A15:2021 EN60335-2-69:2012 EN62233:2008
2014/50/UE	EMC Directive	EN55014-2:1997 + A1:2001 EN61000-3-2:2014 EN61000-3-3:2013
2011/65/UE	RoHS Directive	

Authorised Signatory: Mr. Matthew Coles

Position: Head of Technology
Numatic International Limited
Chard,

Signed: *M Coles* Date: 2nd February 2024

Somerset, TA20 2GB, UK

Numatic

numatic.com

Affix Label Here

Numatic International Limited (Head Office)
Chard, Somerset TA20 2GB, UNITED KINGDOM
Tel: 01460 68600 numatic.com

Numatic International GmbH
Fränkische Straße 15-19, 30455 Hannover, DEUTSCHLAND
Tel: +49 (0) 511 984 2160 numatic.de

Numatic International Denmark
Fränkische Straße 15-19, 30455 Hannover, DEUTSCHLAND
Tel: +45 (0) 316 40808 numatic-online.dk

Numatic International S.A.S
13/17 rue du Valengelier, EAE la Tuilerie, 77500 Chelles, FRANCE
Tel: +33 (0) 164 726 161 numatic.fr

Numatic International BV
Vennootsweg 15, 2404 CG, Alphen aan den Rijn, NEDERLAND
Tel: +31 (0) 172 467 999 numatic.nl

Numatic International Schweiz AG.
Sihlbruggstrasse 3A, 6340 Baar, SCHWEIZ
Tel: +41 (0) 41 768 0760 numatic.ch

Numatic International (PTY) Ltd.
Cnr. 16th & Pharmaceutical Road, Randjes Park, Midrand 1685, SOUTH AFRICA
Tel: +27 (0) 861 686 284 numatic.co.za

Numatic International ULDA
Rua Francisco da Silva Duarte, nº79,
4475-269 Santa Maria de Avioso, Castêlo da Maia, PORTUGAL
Tel: +351 220 047 700 numatic.pt

NUMATIC INTERNATIONAL SPAIN, S.L.U.
Av. Baix Llobregat, 5-7, Oficina bajos 1 (Parc Negocis Mas Blau II),
08820 El Prat de Llobregat (Barcelona) SPAIN
Tel: +34 93 647 22 22 numatic.es

Numatic International Italy S.R.L
Via Luigi Galvani, 2, Z.I. Talponedo, 33080 Porcia (PN), ITALY
Tel: +39 (0) 434 046 211 numatic.it

Specification subject to change without prior notice

numatic.com © Numatic International Limited

908916 08/24 (A19)